



Medi | Mate Interconnect

The Pulse of Innovation

Medical Push-Pull Connectors

At Amphenol Alden Products Company our goal is to help our OEM partner's deliver better patient care. We achieve this goal by providing cable assemblies and connectors that are efficient, effective and dependable. Our products help reduce costs, increase reliability and ensure patient and clinician safety.

When your application requires a disposable or reusable medical interconnect solution (or both), Amphenol Alden's medi | mate series of connectors and cable assemblies combine the familiarity of circular push-pull interconnects with our unparalleled commitment to quality products. Sterilizable, reliable, and industry-compatible, medi | mate is available in multiple keying and color options making for fast and safe product identification wherever multiple interconnects are used. When provided as part of a cable assembly our expertise in design and manufacturing extracts even more value from medi | mate for new applications requiring innovation and legacy applications requiring backwards compatibility.

Features & Benefits

Push-pull actuation – Familiar, instinctive & effective

- Self-latching
- Secure
- Tactile mating confirmation
- Smooth low-insertion force

Versatile Product Offering

- Standard contact configurations from two (2) to 14 poles
- Cable-mount and panel-mount receptacles standard
- Seven (7) standard color combinations
- Six (6) standard keying options
- Available as an overmolded cable assembly

Environmental Resilience

- Safe, recessed contacts endure repeated, high frequency mating
- Impact resistant circular housings
- Flex, strain, & impulse resistant cable protection
- IP50 rated* (when mated)
- Reprocess via steam or gas

Applications



Electrosurgical Devices

- Single-use soft tissue cutting tools
- Ablation needles for tumor termination



Patient Monitoring

- SpO2
- Electrocardiography (ECG)



Electrophysiology

- Mapping catheters
- Diagnostic catheters



Therapy

- Infusion pump
- Gastrointestinal ablation

Specifications

Material

- Connector Housing:
 - Polysulfon (PSU)
 - Polyetherimide (PEI)
 - Molded Core Insulator:
 - Polyetheretherketon (PEEK)
- Contacts:
 - Pins—Brass, 20μ" Gold over 50μ" Nickel
 - Sockets—Phosphor Bronze, 20μ" Gold
 - over 50μ" Nickel
- Flammability Rating: UL94 V-0

Environmental

- Operating Temp.:
 - PSU: -50 °C to +150 °C
 - PEI: -50 °C to +170 °C
- IP-rating: IP-50 (when mated)*
- Sterilizable**:
 - Autoclave
 - EtO
- Chemical Resistance: common or cleaning solvents assembly

Mechanical

- Mating cycles: 2,000
- Mating Force (without contacts):
 - Mate: 8N (avg.)
 - Un-mate: 8N (avg.)
 - Unintended extraction: 90N (min.)

Electrical Characteristics

Number of Poles	Contact Size Pin φ (mm)	Wire Gauge, max.	Test Voltage	Operating Current, max. (A)	Mated Contact Resistance (mΩ)
14	0.5	28	600 V RMS	2.0	< 8.5
10	0.5	28	850 V RMS	3.0	< 8.5
9	0.5	28	850 V RMS	3.0	< 8.5
8	0.7	26	1,050 V RMS	5.0	< 6.5
7	0.7	26	1,050 V RMS	5.0	< 6.5
6	0.7	26	1,050 V RMS	6.0	< 6.5
5	0.9	22	1,050 V RMS	7.0	< 4.5
4	0.9	22	1,200 V RMS	8.0	< 4.5
2	1.3	20	1,200 V RMS	10.0	< 3.5

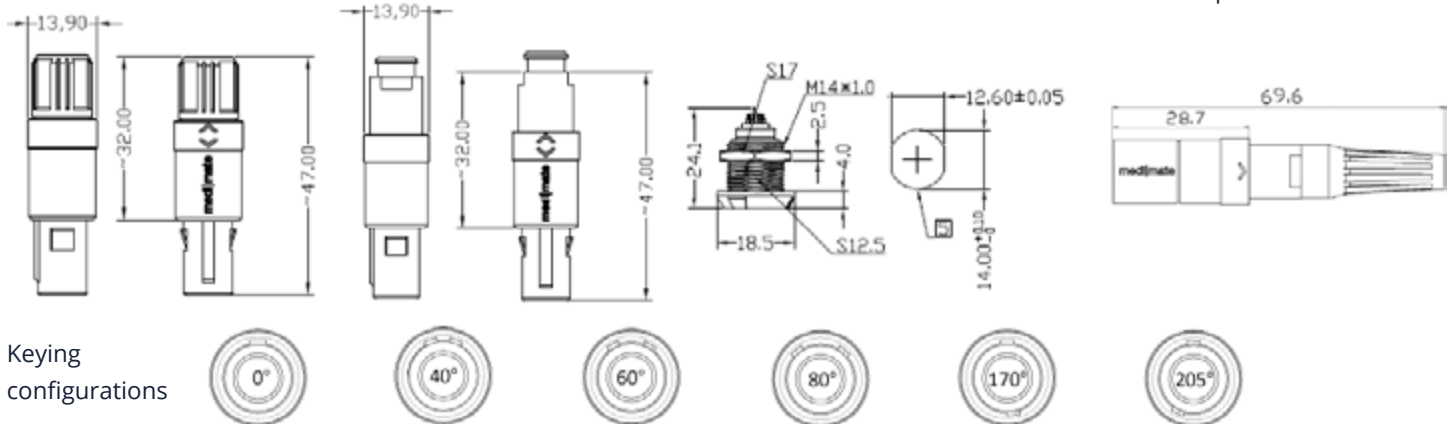
Basic Dimensions

Plug with locking nut

Plug with nut for bend relief

Panel-mount receptacle with sockets

Cable-mount receptacle with sockets optional bend relief



How To Order

Configurable by design, medi | mate connectors utilize an intelligent part numbering system to streamline the product identification and ordering process. Simply pick the options you need and the table below will guide you to the correct part number.

Having trouble? Let us help configure the right product for your application.

Call or email us at +1 (508) 427-7000 or info@amphenolalden.com.

Electrical Characteristics: MPP= medi | mate connector

Number Of Contacts	Body Style	Keying	Contact Type	Color Code	Collet Type	Collet Size – Cable Od	Housing Material
02	P= Plug- cable mount	P= Plug – cable mount	0= 0°	M= Pin – solder cup	40= Grey	A= Locking nut	0= PSU – Grey
04	C= Receptacle – cable mount	F= Socket – solder cup	1= 40°	F= Socket – solder cup	41= Black	B= Collet for bend relief ²	1= PEI – Grey
05	R= Receptacle – front panel mount ¹	S= Socket – 90° PCB	2= 60°	S= Socket – 90° PCB	42= Blue	0= No collet ³	2= PSU – Black
06	U= Receptacle – front or back panel mount ¹	P= Socket – Straight PCB	3= 80°	P= Socket – Straight PCB	43= Red		3= PEI – Black
07	Y= Disposable receptacle – cable mount		4= 170°		44= Green		
08			5= 205°		45= Yellow		
09					46= White		
10							
14							
02	C	0	F	40	A	1	0

1. Solder-cup socket standard
2. Color codes '40' (standard) & '41' (optional) only; Bend relief sold separately
3. Panel-mount receptacles only

Configured part number example: medi | mate 2-pole cable-mount receptacle, Key 0°, solder-cup socket contacts, Grey locking nut, cable collet: max. cable OD 3.9mm, Grey PSU material

Product	Cable Bundle Od (Mm)	Color
MPS = medi mate strain relief	25 = > 2.5 – 3.0	GY = Grey
	30 = > 3.0 – 3.5	BK = Black
	35 = > 3.5 – 4.0	BL = Blue
	40 = > 4.0 – 4.5	RD = Red
	45 = > 4.5 – 5.0	RD = Red
	50 = > 5.0 – 5.5	YW = Yellow
	55 = > 5.5 – 6.0	WH = White
	60 = > 6.0 – 6.5	
MPS	60	C



Configured strain relief example: medi | mate strain relief, max. cable bundle OD 6.5mm, Grey